

EIZO[®]

Software Installation Manual

AA40

Enhanced 8514/A Graphics Board
for the IBM PC/AT



Professional
Display
Systems

EIZO CORPORATION

Table of Contents

PART 1: Introduction 1

1.1 Overview 1

1.2 About This Manual 1

1.3 Contact Information 1

Software Installation Manual

AA40

Enhanced 8514/A Graphics Board
for the IBM PC/AT



EIZO CORPORATION

Table of Contents

PART 1: Introduction	1
1.1 Overview	1
1.2 Before You Begin	1
1.3 EIZO AA40 Drivers Disk	2
PART 2 : Application Drivers Installation	3
2.1 General Installation	3
2.2 EIZO AA40 Adapter Interface (AI)	5
2.2.1 Overview	5
2.2.2 Installing EIZO AA40 Adapter Interface	6
2.2.3 Options	7
2.2.4 Video Switching	8
2.3 Microsoft Windows (V3.0)	9
2.4 Ventura Publisher (V2.0, V3.0)	10
2.5 GEM/3 (R3.01, R3.1)	12
2.6 ARTLINE Ver.2 (R2.00)	14
2.7 AutoCAD	15
2.7.1 AutoCAD (R10, R11) Real Mode	15
2.7.2 EIZO AA/AC Series ADI Configuratio Utility Software	17
2.7.3 AutoCAD 386 (R10, R11) Protect Mode	18
2.7.4 EIZO ADI Driver Options for AutoCAD	20
2.7.5 AutoShade (V1.0 & V1.1) / AutoSketch (V1.0 & V2.0)	22
2.7.6 AutoShade (V2.0)	23
2.7.7 3D Studio	24
2.8 MicroStation PC (V 4.0)	25

Software Installation Manual
AA40
Enhanced 8514/A Graphics Board
Printed in Japan

Copyright (c) 1992 by EIZO CORPORATION, all rights reserved. No part of this manual may be reproduced in any manner whatsoever without written permission of EIZO CORPORATION.

Data and specifications included within this manual are accurate at the time of publication. EIZO CORPORATION reserves the right, however, to update future editions without notice. EIZO welcomes requests for dealer information, comments and inquiries about its products. EIZO CORPORATION is under no obligation to hold confidential any material of information submitted to it unless prior arrangements pursuant to EIZO's receipt of said information are made.

Microsoft Windows is a registered trademark of Microsoft Corp.
Ventura Publisher is a registered trademark of Ventura Software , Inc.
GEM is a registered trademark of Digital Research Inc.
Fontware is a trademark of Bitstream, Inc.
AutoCAD, AutoShade, AutoSketch and 3D Studio are registered trademarks of Autodesk, Inc.
IBM, PC/AT and PC-DOS are registered trademarks of International Business Machines Corp.
MS-DOS is a registered trademark of Microsoft Corp.
MicroStation is a trademark of Bentley Systems, INC., an affiliate of Intergraph Corp.
EIZO is a registered trademark of EIZO CORPORATION.
FLEXSCAN is a trademark of EIZO CORPORATION.

PART 1: Introduction

1.1 Overview

EIZO AA40 Application Drivers ...

EIZO provides the **EIZO AA40 Drivers Disk** with the EIZO AA40 Graphics Board. The EIZO AA40 Drivers Disk contains the Application drivers for AA40 (Refer to Table 1-1) and the automatic installation program **AUTOINS** (Refer to **2.1 General Installation**).

NOTE

This manual is applied only to the **EIZO AA40 Graphics Board**. If you use other EIZO Graphics Board, please refer to the suitable manual supplied with each board.

1.2 Before You Begin

- Please ensure that the EIZO AA40 Graphics Board is correctly installed before configuring the application software as described in this manual. Information for correct installation of AA40 can be found in the User's Manual which accompanies AA40 Graphics Board package.
- Ensure that your PC operating system is **MS-DOS or PC-DOS version 3.1 or later**. Please also ensure that the DOS version will support the required application software.
- Please contact your supplier if your support package is not complete or if you have any trouble copying the files from the disks supplied.
- Backup your EIZO AA40 Application Drivers Disk and store the original in a safe place. The copy should then be used for installation.

1.3 EIZO AA40 Drivers Disk

EIZO supplies the **EIZO AA40 Drivers Disk** containing the original application drivers for AA40. This disk contains the following application drivers :

AA40 AI (Adapter Interface) Microsoft Windows V3.0 Ventura Publisher (V2.0, V3.0) ARTLINE Ver 2 (R2.00) AutoCAD (R10/R11) AutoCAD 386 (R10/R11) GEM/3 (R3.01, R3.1) AutoShade (V2.0) AutoShade (V1.0, V1.1)/AutoSketch (V1.0, V2.0) 3D Studio (V1.0) MicroStation PC (V4.0)
--

Table 1-1

- NOTE 1.** There may be several floppy disks for the EIZO AA40 Drivers Disk in the package. When you install the drivers, **use a correct floppy disk** referring to the labels on it.
2. The application drivers in the drivers disk are updated regularly and new application drivers are added. **Please use the latest Drivers Disks and refer to the latest manual.**
 3. Information regarding drivers which have been modified after the publication of this manual is contained in the README files in the relevant sub-directory of each driver. **Read the README file** before you install the drivers.

PART 2 : Application Drivers Installation

2.1 General Installation

All the AA40 Application Drivers described in this section can be installed automatically using the automatic installation program **AUTOINS**.

NOTE

This section explains a way of installing the application drivers from **A:** floppy disk drive. But you may use either **A:** or **B:** drive for these installations. If you use **B:** drive, please substitute **B:** for **A:** in the following instructions.

Installing the Drivers by AUTOINS ...

To run the automatic installation program :

1. Make sure that you have installed the proper application software into your hard disk before installing the drivers.
2. Insert the **EIZO AA40 Drivers Disk** into drive A:
3. Switch to drive A: by typing :
A: <Enter>
4. Run the automatic installation program **AUTOINS** by typing :
AUTOINS <Enter>

5. The following driver Installation Menu will be displayed :

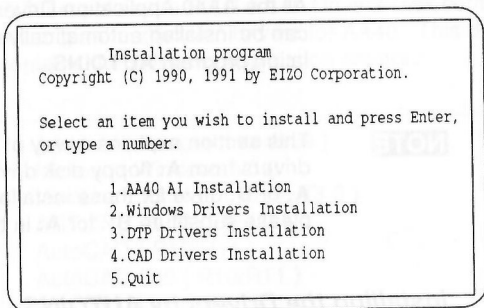


Figure 2-1

6. Select an item which includes the driver you want to install, then follow the displayed instructions and install the driver.

NOTE

Before installing the drivers, please read **NOTE** in each section of the drivers installation carefully to avoid any problems.

This section explains how to manually install (without using AUTOINS) each application driver, and it explains the procedures of the **AUTOINS** program for each driver. So please refer to these instructions when you have any difficulties with **AUTOINS**.

2.2 EIZO AA40 Adapter Interface (AI)

2.2.1 Overview

The EIZO AA40 supports two modes of operation, i.e. **VGA mode** and **Advanced Function mode**.

In VGA mode, the AA40's chip is inoperative and video signals, from an external VGA component, are multiplexed onto the display. In advanced function mode, the EIZO AA40 implements two display resolution modes. High resolution mode provides 1024x768 pixel display area. Medium resolution mode provides an 640x480 pixel display area.

The EIZO AA40 Adapter Interface (AI) is a Terminate-and-Stay-Resident (TSR) program that provides a set of graphics and text primitives. Application software such as AutoCAD, MicroStation, WordPerfect, Cadkey, etc., use AI graphics primitives to do their graphics operations (See **Figure 2-2**).

The user must install the EIZO AA40 AI before running such applications.

Adapter Interface Block Diagram ...

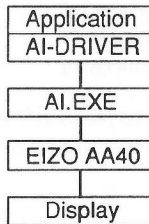


Figure 2-2

NOTE

Regarding the **AI functions**, please refer to the **EIZO AA40 AI Reference Manual** for the detail.

2.2.2 Installing EIZO AA40 Adapter Interface

To load AI, invoke **AI.EXE** as follows :

1. From the DOS prompt, type :
AI <Enter>
2. The following message signifies the installation is complete. (**Figure 2-3**)

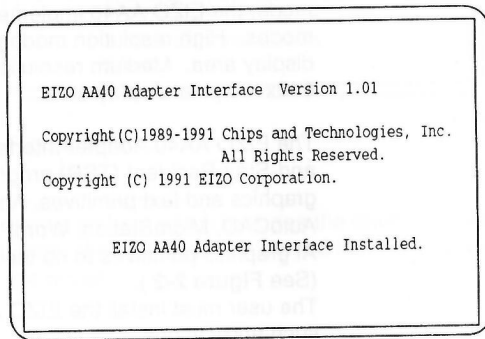


Figure 2-3

2.2.3 Options

EIZO AA40 Adapter Interface has the following options :

AI [-?][-u][-x][-4]

- ?** : displays this help message
- u or -x** : removes EIZO AA40 Adapter Interface
- 4** : force to be 4 planes

? : Display the usage.

u or x : Remove AI program from memory.

From the DOS prompt, type :

AI -x <Enter> or AI -u <Enter>

The previously-installed AI can be removed from the memory by this option.

The EIZO AA40 AI program uses interrupt 09H and 7FH. If another program is using interrupt 09H or 7FH, AI installation will fail and the following error message would come out :

**ERROR : Cannot remove EIZO AA40 Adapter Interface from memory...
Keyboard or AI interrupt was changed by another program.**

In this case, to remove AI, you must terminate/remove the program which was executed after the AI installation.

4 : Force in 4 plane (16 colours) mode.

This option is used to install AI in 4 plane mode. This option is effective when the EIZO AA40 has a 512KB VRAM option.

2.2.4 Video Switching

The EIZO AA40 Adapter Interface supports the video switching function. The EIZO AA40 has a **Pass-Through** connector which is connected to VGA components.

VGA video output and EIZO AA40 video output are toggled by <Alt> + <Ctrl> + <Backspace> keys. (See Figure 2-4)

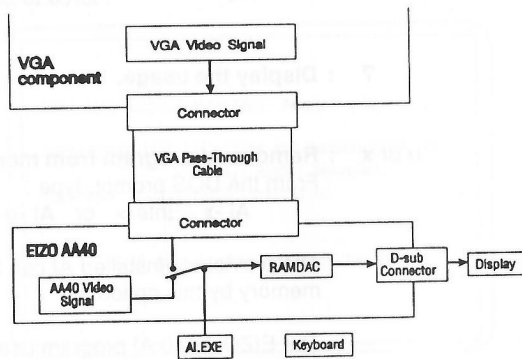


Figure 2-4

When the AI is installed in the memory, the program can check the <Alt>, <Ctrl> and <Backspace> simultaneously through signals from the keyboard.

If the AI senses the key condition, then it will toggle the video signal. When the AI is removed from the memory, this function is removed, too.

2.3 Microsoft Windows (V3.0)

- NOTE** 1. EIZO AA40 requires a **VGA board** as a secondary display adapter to work on Microsoft Windows.
2. If you have previously installed a **previous version of EIZO AA40 Windows Driver**, please delete all the old driver files in the Windows system sub-directory (ex. c:\windows\system), otherwise, the windows SETUP will not copy the new driver files to your hard disk.

Installing EIZO AA40 Windows (V3.0) Driver ...

1. If you have not previously installed Microsoft Windows on your computer, first install Windows and select "**VGA**" from the display adapter list.
If you have already installed Windows, you can skip this step.
2. Make sure you are not running Windows, and run "**Setup**" program from your Windows directory (ex. c:\windows).
3. Highlight "**Display**" item from the Setup menu pressing UP or DOWN arrow key, then press <Enter>.
4. Highlight "**Other** (requires disks provided by the hardware manufacturer)" item from the display adaptor list, then press <Enter>.
5. When you are prompted for the driver disk, insert the **EIZO AA40 Windows Driver** disk into suitable floppy drive, then press <Enter>.
6. Highlight one of the **EIZO AA40** drivers matching your environment, then press <Enter>.
7. When you have finished changing your settings, select "**Complete Changes**" option from the Setup menu to exit Setup.

2.4 Ventura Publisher (V2.0, V3.0)

Installing EIZO AA40 Ventura Driver ...

1. Install the Ventura Publisher on your hard disk selecting the **VGA Colour Graphics Driver** as instructed in the Ventura Publisher documentation.
2. Copy the **SDAA40VP.VGA** file from the root directory on the **EIZO AA40 Drivers Disk** into the directory (ex. C:\VENTURA) containing the Ventura Publisher system files by typing :
ex. `COPY A:\SDAA40VP.VGA C:\VENTURA <Enter>`
3. Modify the corresponding line on the VP.BAT(or VPPROF.BAT) file in the root directory on your hard disk using EDLIN.COM or any other editor.

ex. VP.BAT file:
`DRVVRMRGR VP %1 /S=SDFVGAH5.VGA /M=03`

↓

`DRVVRMRGR VP %1 /S=SDAA40VP.VGA /M=03`

ex. VPPROF.BAT file (Prof.Rxt.) :
`DRVVRMRGR VPPROF %1 /S=SDFVGAH5 /M=03`

↓

`DRVEMRGR VPPROF %1 /S=SDAA40VP.VGA /M=03`

NOTE

To obtain correct views and true **WYSIWYG Fonts**, please install the **FONTWARE** as detailed in the **FONTWARE Manual** supplied with Ventura Publisher.

When you use the FONTWARE ...

1. Install **FONTWARE** on your hard disk. (Refer to the FONTWARE Manual.)
2. Copy **DDF files** from the \ **VP2DDF** sub-directory on the **EIZO AA40 Drivers Disk** into the \ **FONTWARE\DDF** sub-directory on your hard disk.
3. Run **FONTWARE** from your hard disk.
4. Select the following item from Main Menu :
View Control Panel
5. Press **<F7>** key and select a Display Model from the **EIZO FLEXSCAN** item to change the current Display Model.

Then set up the FONTWARE following the instructions on the screen.

2.5 GEM/3 (R3.01, R3.1)

Installing EIZO AA40 GEM/3 Driver ...

1. Install the GEM/3 on your hard disk selecting the **VGA Colour Graphics Driver** as instructed in the GEM/3 documentation.
2. Run the standard **GEMSETUP** program either from the hard disk or from the **GEM/3 System Master Disk**.
3. Select the following items to respectively install the driver.

"CHANGE EXISTING CONFIGURATION"



"CHANGE YOUR CURRENT SETUP"

The screen displays your current setup and asks you to identify the item you want to change. Change your current display driver (VGA).



"OTHER (Driver Pack)"

4. When prompted for the GEM driver pack disk, insert the **EIZO AA40 Drivers Disk** into drive **A:**.
5. Select the **EIZO AA40** item from the display list.
6. Continue to complete the setup.

NOTE

To obtain correct views and true **WYSIWYG Fonts**, install the **FONTWARE** as detailed in the **FONTWARE Manual** supplied with GEM/3.

2.7 When you use the FONTWARE ...

1. Install **FONTWARE** on your hard disk. (Refer to the FONTWARE Manual.)
2. Copy **DDF files** from the **\GEM3DDF** sub-directory on the **EIZO AA40 Drivers Disk** into the **\GEMAPPS\FONTWARE\DDF** sub-directory on your hard disk.
3. Switch to the sub-directory **\GEMAPPS** and type :
FONTWARE <Enter>
4. Select the following item from the Main Menu :
View Control Panel
5. Press **<F7>** key and select a Display Model from the **EIZO FLEXSCAN** items to change the current Display Model.

Then set up the FONTWARE following the instructions on the screen.

2.6 ARTLINE Ver.2 (R2.00)

Installing EIZO AA40 ARTLINE Ver.2 Driver ...

In case ARTLINE Ver.2 is not installed

1. Install the ARTLINE Setup/Application disk into drive A and type:
`SETUP <Enter>`

Set up ARTLINE Ver.2 according to the instructions on the screen.

In case ARTLINE Ver.2 is already installed

1. Switch to the directory containing the ARTLINE system files and type :
`ALSETUP <Enter>`

Set up ARTLINE Ver.2 according to the instructions on the screen.

2. The "Select Screen(s)" is displayed. Then, select the "Load Additional 4.0 Screen Driver Packs..."
3. When prompted for the ARTLINE driver pack disk, insert the EIZO AA40 Drivers Disk into drive **A:**.
4. Select the **EIZO AA40 item** from the display list.
5. Continue to complete the setup.

NOTE

EIZO AA40 ARTLINE Ver.2 (R2.00) Driver supports only 16 colours.

2.7 AutoCAD

2.7.1 AutoCAD (R10, R11) Real Mode

Installing EIZO AA40 AutoCAD Real Mode Driver ...

1. Install AutoCAD (R10, R11) on your hard disk as instructed in the AutoCAD documentation.
2. Copy the following files from the EIZO AA40 Drivers Disk into the directory (ex. C:\ACAD) which contains your AutoCAD system files by typing :
ex. `COPY A:\ACAD\DSAA40.EXE C:\ACAD`
`<Enter>`
`COPY A:\ACAD\ADICFGA.EXE C:\ACAD`
`<Enter>`
`COPY A:\ACAD*.FNT C:\ACAD <Enter>`
3. Run the ADI configuration program in the directory containing the AutoCAD system files by typing :
`ADICFGA <Enter>`

Then the EIZO AA Series ADI Configuration Utility Software menu will be displayed. Set the ADI Driver Options by selecting the items from the menu.

(Refer to **2.7.2 EIZO AA Series ADI Configuration Utility Software** and **2.7.4 EIZO ADI Driver Options for AutoCAD** for details.)

Running AutoCAD ...

1. Run the EIZO AA40 AutoCAD Driver by typing :
`DSAA40 <Enter>`
2. Start AutoCAD by typing :
`ACAD <Enter>`
3. At the Main Menu, select :
5. Configure AutoCAD

4. From the configuration menu, select :
3. Configure video display
5. From the available Video Display Lists, select :
ADI display v4.0
or
ADI display v4.1

Removing the EIZO AA40 AutoCAD Driver ...

To remove the EIZO AA40 AutoCAD Driver from the system memory, use [-U] or [-X] command and type as follows :

ex. **DSAA40 -U <Enter>**

2.7.2 EIZO AA/AC Series ADI Configuration Utility Software

This Utility Software is used to set the ADI Driver Options for the AutoCAD (R10, R11).

When you run the ADI configuration program (ADICFGA.EXE) at the sub-directory containing the AutoCAD (R10, R11) system files by typing :

ADICFGA <Enter>

Then the following menu is displayed :

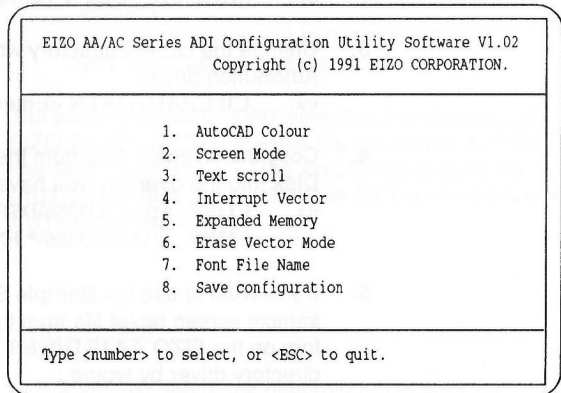


Figure 2-5

Select the item that you want to change from the menu and set the ADI Driver Options. (Refer to 2.7.4 EIZO ADI Driver Options for AutoCAD for details.)

NOTE

This Utility Software can be applied **only to the EIZO AA40 AutoCAD Real Mode Driver**, and not to the EIZO AA40 AutoCAD 386 Protect Mode Driver.

2.7.3 AutoCAD 386 (R10, R11) Protect Mode

Installing EIZO AA40 AutoButton Driver for AutoCAD 386 ...

1. Install AutoCAD 386 on your hard disk as instructed in the AutoCAD documentation.
2. Make a directory where you wish to install the AutoButton driver.
ex. `MD C:\AUTOBTN <Enter>`
3. Change the current directory where you wish to install AutoButton driver.
ex. `CD C:\AUTOBTN <Enter>`
4. Copy the following files from the **EIZO AA40 Drivers Disk** into the directory you have just created by typing :
ex. `COPY A:\ACAD386\DSPAA40.EXP <Enter >`
`COPY A:\ACAD386*.FNT <Enter>`
5. If you want to use the **Sample Screen Tablet**, copy a sample screen tablet file from the \ACAD386 sub-directory on the **EIZO AA40 Drivers Disk** into the AutoButton directory driver by typing :

```
COPY A:\ACAD386\xxxx.PIC AUTOBTN.PIC  
<Enter>
```

```
xxxx.PIC --select a suitable file name from the  
following files :
```

```
AUTOBTN1.PIC : Small Screen Tablet file in English  
AUTOBTG1.PIC : Small Screen Tablet file in German
```

```
AUTOBTN2.PIC : Large Screen Tablet file in English  
AUTOBTG2.PIC : Large Screen Tablet file in German
```

If you have already made your original Screen Tablet by using the EIZO AutoButton Editor, copy your Screen Tablet file into the AutoButton driver directory by typing :

```
COPY [new tablet name] AUTOBTN.PIC <Enter>
```

(Refer to **AutoButton Reference Manual** for how to make your original Screen Tablet.)

6. Set the environment variable by typing following SET command :

```
ex. SET DSPADI=C:\AUTOBTN\DSPAA40.EXP  
<Enter>  
SET EIZOFONT=C:\AUTOBTN <Enter>  
SET AUTOBTN=C:\AUTOBTN <Enter>
```

The parameter EIZOFONT specifies the directory of EIZO AA40 font (*.FNT) while the parameter AUTOBTN specifies the directory of the AutoButton picture file (AUTOBTN.PIC). Also add these SET commands in the AUTOEXEC.BAT file.

Running AutoCAD 386 ...

1. Run AutoCAD 386 in the directory containing the AutoCAD 386 system files by typing :

```
ACAD <Enter>
```
2. From the Main Menu, select :
5. Configure AutoCAD
3. From the configuration menu, select :
3. Configure video display
4. From the available Video Display List, select :
1. ADI P386 v4.0/v4.1 display
5. Follow the instructions to complete the configurations.
(Refer to **2.7.4 EIZO ADI Driver Options for AutoCAD** for details.)

2.7.4 EIZO ADI Driver Options for AutoCAD

AutoCAD Colour :

If you want to change the AutoCAD colours (graphics background, text colour, pull-down menu colour etc.), enter the colour number you want to use.

AutoCAD Palettes (available for Protect Mode Driver) :

If you want to change the AutoCAD Palettes (0 to 15), enter the Red, Green and Blue Value which you want to use.

Text Scroll :

Enter a number of text scroll lines in the single screen environment.

Screen Mode :

Single Screen Mode :

If you don't have another monitor, you must choose this mode.

Dual Screen Mode (using Text Screen) :

If you have another video board connected to another monitor and wish to display the AutoCAD text screen on the monitor, choose this mode.

Dual Screen Mode (using VGA Dynamic Screen) :

If you have VGA board beside the AA40 board connected to another monitor and wish to display the worldview screen permanently, choose this mode. Then you are prompted to enter the VGA resolution and colour option if you have EIZO VGA board. With this mode selected, you can move your cursor into the VGA screen beyond the left border of main screen and enter new zoom window by clicking the mouse button.

The **EQZON** command turns the main screen to display the window with zoom simultaneously where your mouse resides, but this causes slow operation. Then the **EQZOFF** command turns off this mode and the **EREDRAW** command redraws the drawing in VGA screen.

Erase Vector Mode (available for Real Mode Driver) :

When enabled, this mode considerably speeds up the ERASE function. This is achieved by changing colours of the vectors to be erased to the background colour without actually erasing it. However, the REDRAW facility will still leave unerased vectors to the screen, which will only be erased after regen.

Interrupt Vector (available for Real Mode Driver) :

This must match your AutoCAD display driver configuration. If the default value conflicts with some other software in your system, you may use a different interrupt vector. The default will work correctly under most circumstances.

Display List Size (available for Real Mode Driver) :

Set the Expanded memory size which you want to reserve for Display List Processing. If there is no expanded memory available, you can not install the driver. The default memory size to be allocated is 1024KB for the expanded memory.

Font Size / Font File Name :

Select the font file to be installed with ADI driver. If you use a real mode driver, select the font from:
STAN0715.FNT, STAN0814.FNT and STAN1220.FNT.

8 bit per pixel mode (available for Protect Mode Driver) :

A number of colours can be set either to 16 (4 bit/pix) colours or to 256 (8 bit/pix) colours. If there is no 512KB VRAM option for EIZO AA40, use the 4bit/pix mode.

2.7.5 AutoShade (V1.0 & V1.1) / AutoSketch (V1.0 & V2.0)

Installing EIZO AA40 AutoShade (V1.0 / V1.1) / AutoSketch (V1.0 / V2.0) Driver ...

NOTE

If you use AutoSketch, please change SHADE to SKETCH in the description of this section. AutoShade (V1.0 / V1.1) / AutoSketch (V1.0 / V2.0) are supported by the EIZO AutoCAD Real Mode Driver.

1. Install AutoShade (V1.0 / V1.1) on your hard disk as instructed in the AutoShade documentation.
2. Copy the following files from the \ACAD sub-directory on the **EIZO AA40 Drivers Disk** into the directory (ex. C:\SHADE) containing the AutoShade system files by typing :

```
COPY A:\ACAD\DSAA40.EXE C:\SHADE  
<Enter>  
COPY A:\ACAD\ADICFGA.EXE C:\SHADE  
<Enter>  
COPY A:\ACAD\*.FNT C:\SHADE <Enter>
```

Running AutoShade ...

1. Run the ADI v4.0 Driver at the directory containing the AutoShade system files by typing :
DSAA40 <Enter>
2. Delete the following AutoShade configuration file from the AutoShade sub-directory by typing :
DEL SHADE.CFG <Enter>
3. Run AutoShade by typing :
SHADE <Enter>
4. At the display device selection, select :
Autodesk Device Interface display driver
5. At the Rendering selection, select :
Autodesk Device Interface rendering driver

2.7.6 AutoShade (V2.0)

Installing EIZO AA40 AutoShade Rendering Driver ...

1. Install AutoShade (V2.0) on your hard disk as instructed in the AutoShade documentation.
2. Copy the following files from the **EIZO AA40 Drivers Disk** into the directory (ex. C:\SHADE2) containing the AutoShade(V2.0) system files by typing :
`COPY A:\ACAD386\RCPAA40.EXP C:\SHADE2`
<Enter>
`COPY A:\ACAD386*.FNT C:\SHADE2` <Enter>
3. Set the environment variable by typing following SET command :
`SET DSPADI=C:\SHADE2\RCPAA40.EXP`
<Enter>
`SET RDPADI=C:\SHADE2\RCPAA40.EXP`
<Enter>
`SET EIZOFONT=C:\SHADE2` <Enter>

Also add this SET command in the **AUTOEXEC.BAT** file.

Running AutoShade (V2.0) ...

1. Delete the following AutoShade (V2.0) configuration file from the AutoShade (V2.0) sub-directory by typing :
`DEL SHADE.CFG` <Enter>
2. Run AutoShade (V2.0) by typing :
`SHADE` <Enter>
3. At the display device selection, select :
2. **P386 Autodesk Device Interface display driver**
4. At the Rendering selection, select :
2. **P386 Autodesk Device Interface rendering driver**

NOTE

This driver supports only 8 bits/pixel mode.

2.7.7 3D Studio

Installing EIZO AA40 3D Studio Driver ...

1. Install 3D Studio on your hard disk as instructed in the 3D Studio documentation.
2. Copy the following file from the **EIZO AA40 Drivers Disk** into the directory (ex. C:\3DS) containing the 3D Studio system files by typing :

```
COPY A:\ACAD386\RCPAA40.EXP C:\3DS  
<Enter>  
COPY A:\ACAD386\*.FNT C:\3DS <Enter>
```
3. Set the environment variable by typing following SET command:

```
SET DSPADI=C:\3DS\RCPAA40.EXP <Enter>  
SET RCPADI=C:\3DS\RCPAA40.EXP <Enter>  
SET RDPADI=C:\3DS\RCPAA40.EXP <Enter>  
SET EIZOFONT=C:\3DS <Enter>
```

Also add this SET command in the **AUTOEXEC.BAT** file.
4. Modify your 3DS.SET file in the directory containing the 3D Studio system files as follows :
Rendering Driver ...
from **DEFAULT-DISPLAY = "vga320x20"**
to **DEFAULT-DISPLAY = "rcpadi"**

Display Driver ...
from **;MAIN-DISPLAY =RCPADI**
to **MAIN-DISPLAY =RCPADI**

Material Driver ...
from **;MATERIAL-DISPLAY =RCPADI**
to **MATERIAL-DISPLAY =RCPADI**
5. Remove the following 3D Studio configuration file from the 3D studio sub-directory (ex. C:\3DS) by typing :

```
DEL 3DADI.CFG <Enter>
```

You may remove this file to reconfigure the Rendering driver option later.

NOTE

This driver supports only 8 bits/pixel mode.

2.8 MicroStation PC (V 4.0)

Installing EIZO AA40 MicroStation PC Driver ...

1. Install MicroStation PC (V4.0) on your hard disk as instructed in the MicroStation PC documentation.
2. Change the current directory into the DRIVERS sub-directory of the directory where you have installed MicroStation PC (usually \USTATION).
ex. `CD \USTATION\DRIVERS <Enter>`
3. Copy the driver and descriptor files by typing the following command.
ex. `COPY A:\UST40\MGLAA40.*`
4. Run the MicroStation PC configuration program, USCONFIG. The program will search the DRIVERS sub-directory for *.MGL (descriptor files).
5. Choose the "**Display Adapters**" entry from main menu.
6. Choose the "**Vendor Supplied Driver**" from available list. You can install this driver for either right or left screen.
7. Choose the "**EIZO AA40 Driver**" from the list.
8. Choose "**Exit and Save**" entry to complete the configuration.

EIZO®

© Copyright 1991, EIZO Corporation, Japan
All Rights Reserved.
Printed in Japan.

EIZO CORPORATION

7-35-1 Yokogawa, Kanazawa, Ishikawa, 921, Japan
Phone:0762-41-8600 Fax:0762-41-9300 Telex:5122022 EIZO J